

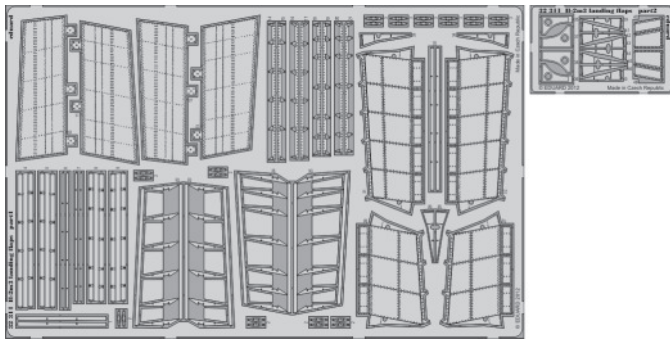


Il-2m3 landing flaps

eduard

32 311

1/32 scale detail set for Hobby Boss kit • sada detailů pro model 1/32 Hobby Boss



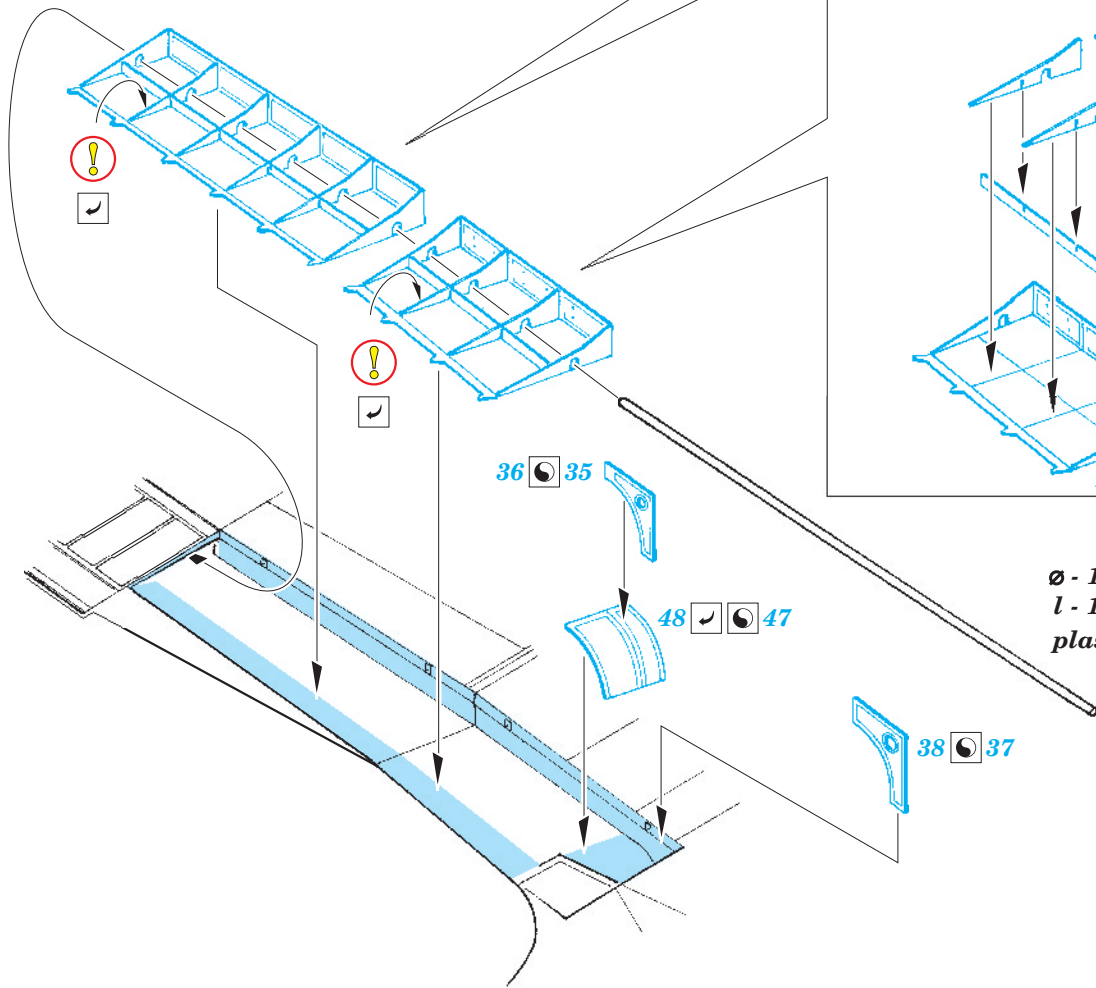
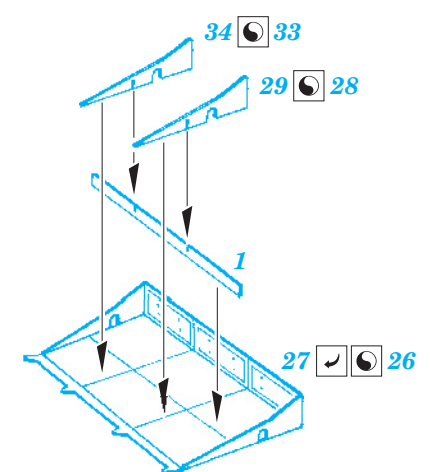
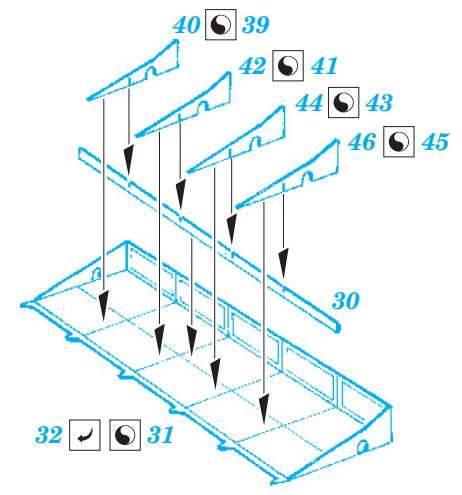
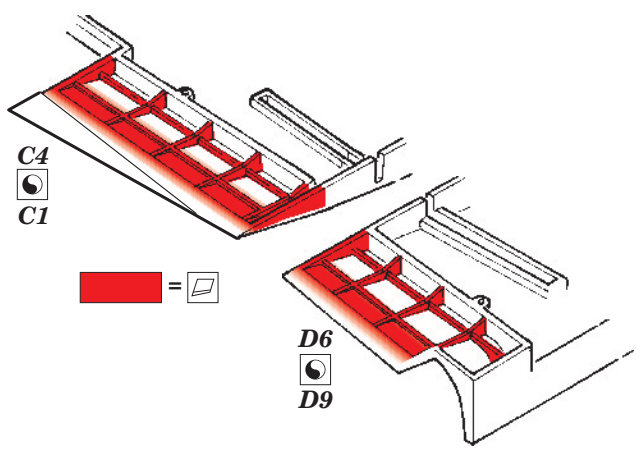
- ★ APPLY EXPRESS MASK AND PAINT BEFORE GLUING
POUŽIT EXPRESS MASK NABARVIT PŘED SLEPENÍM
- ☉ SYMMETRICAL ASSEMBLY
SYMETRICKÁ MONTÁŽ
- ☐ REMOVE
ODSTRANIT
- ☑ BEND
OHNOUT
- ☑ GRIND
OBROUSIT
- ☑ DRILL HOLE
VRTAT OTVOR
- ☑ ? OPTION
VOLBA
- ☑ (R) REPLACE
NAHRADIT

ORIGINAL KIT PARTS
 PŮVODNÍ DÍLY STAVEBNICE

PHOTO-ETCHED PARTS
 LEPTANÉ DÍLY

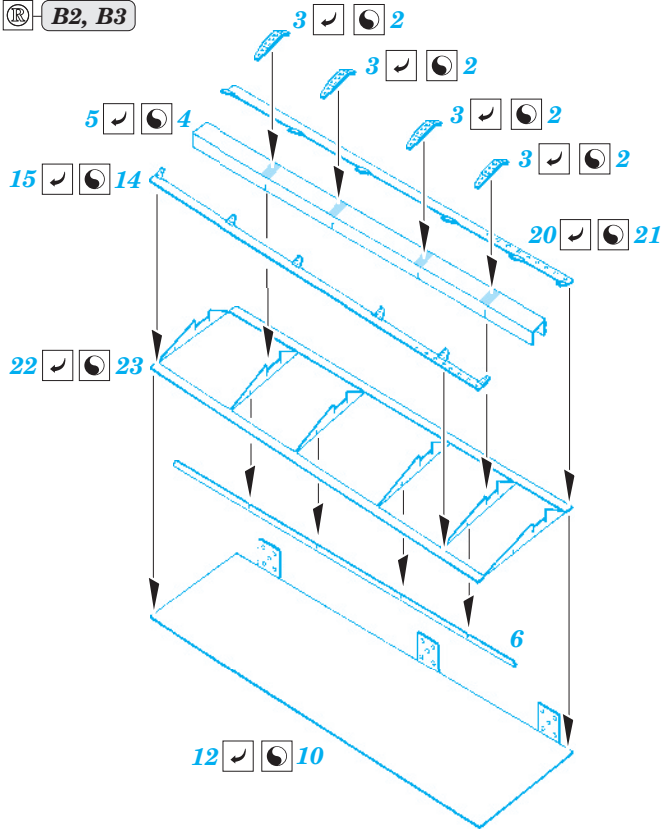
PARTS TO BE REMOVED
 DÍLY K ODSTRANĚNÍ

FILL
 TMELIT

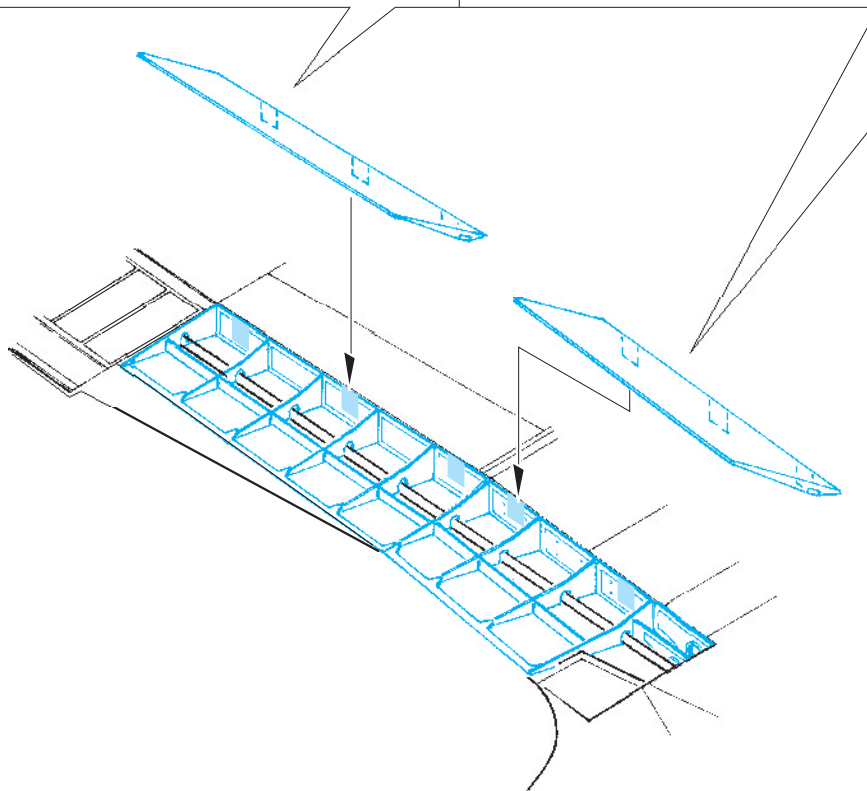
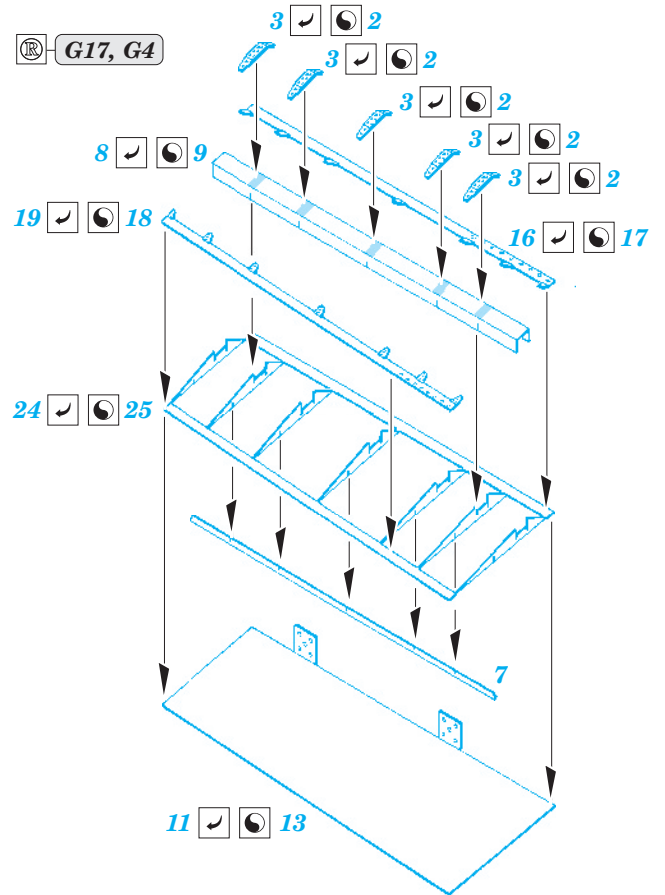


∅ - 1,2mm
 l - 110mm
 plastic

Ⓡ B2, B3



Ⓡ G17, G4



*For further detail sets look for **eduard** 33 094 Il-2m interior S.A. (not included in this set)*

*For further detail sets look for **eduard** 32 312 Il-2m3 exterior (not included in this set)*

*For further detail sets look for **eduard** 32 308 Il-2m two seater armament and bomb tails (not included in this set)*