

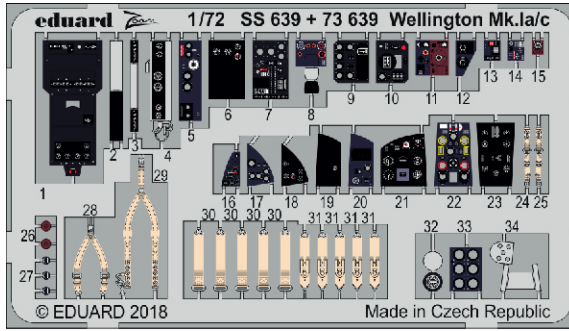


# Wellington Mk.Ia/c

detail set for AIRFIX 1/72 kit • sada detailů pro stavebnici AIRFIX 1/72

eduard

**SS 639**



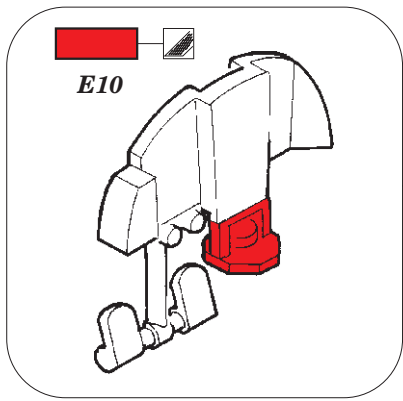
- APPLY EXPRESS MASK AND PAINT BEFORE GLUING  
POUŽIT EXPRESS MASK NABARVIT PŘED SLEPENÍM
- SYMMETRICAL ASSEMBLY  
SYMETRICKÁ MONTÁŽ
- REMOVE  
ODSTRANIT
- GRIND  
OBROUSIT
- DRILL HOLE  
VRTAT OTVOR
- BEND  
OHNOUT
- OPTION  
VOLBA
- REPLACE  
NAHRADIT
- COLORED ETCHED PARTS  
LEPTANÉ BAREVNÉ DÍLY
- ETCHED PARTS  
LEPTANÉ NEBAREVNÉ DÍLY
- ORIGINAL KIT PARTS  
PŮVODNÍ DÍLY STAVEBNICE

ORIGINAL KIT PARTS PŮVODNÍ DÍLY STAVEBNICE	PHOTO-ETCHED PARTS LEPTANÉ DÍLY	PARTS TO BE REMOVED DÍLY K ODSTRANĚNÍ	FILL TMELIT
---	------------------------------------	--	----------------

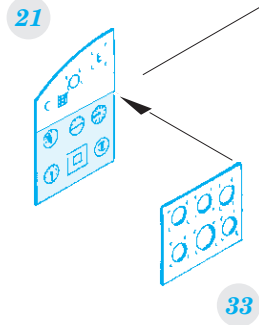
<b>A</b> 	<b>B</b>  <b>C</b> 	<b>D</b> 	<b>E</b> 
--------------	------------------------------	--------------	--------------

The assembly diagrams show the following steps:

- Diagram 1:** Shows sub-assembly E36 (a seat) with parts A, B, and C being attached to its backrest and seat area.
- Diagram 2:** Shows sub-assembly E5 (a chair) with parts D and E being attached to its base and seat.
- Diagram 3:** Shows sub-assembly D7 (a large curved component) with parts D and E being attached to its base.



decals 2



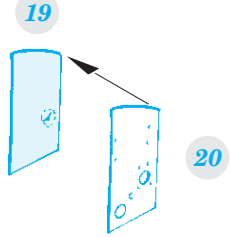
decals 1



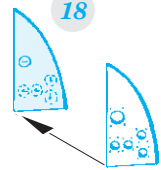
decals 3



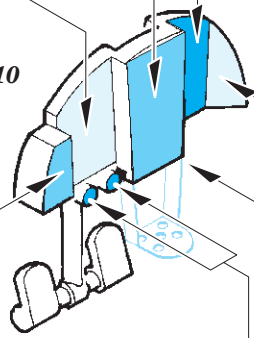
decals 4



decals 5



**E10**

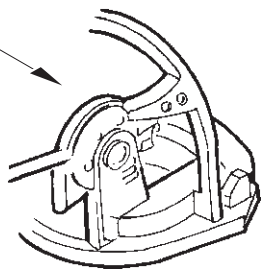
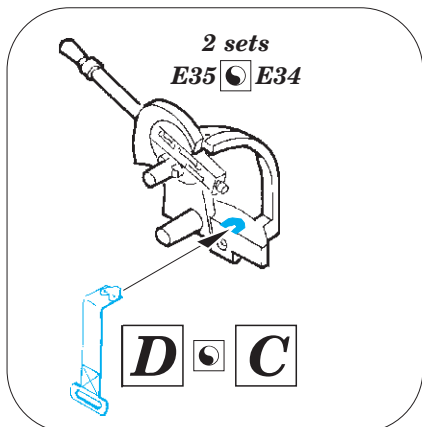
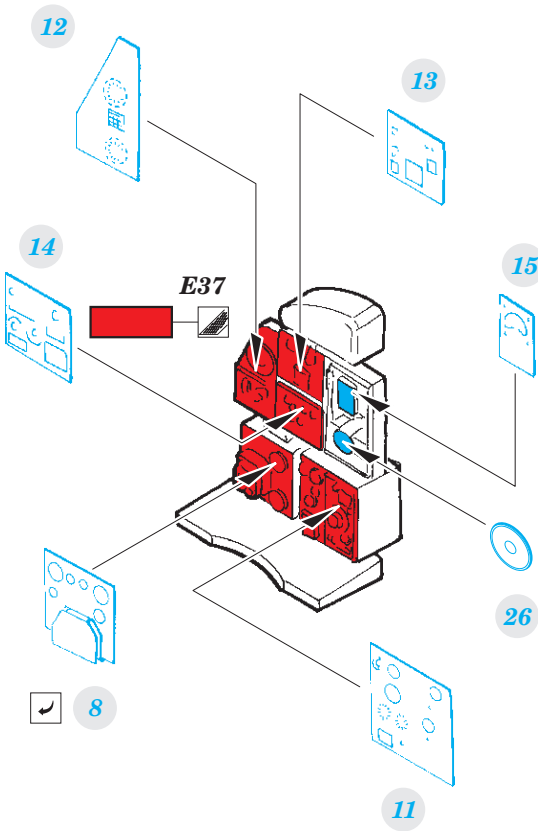


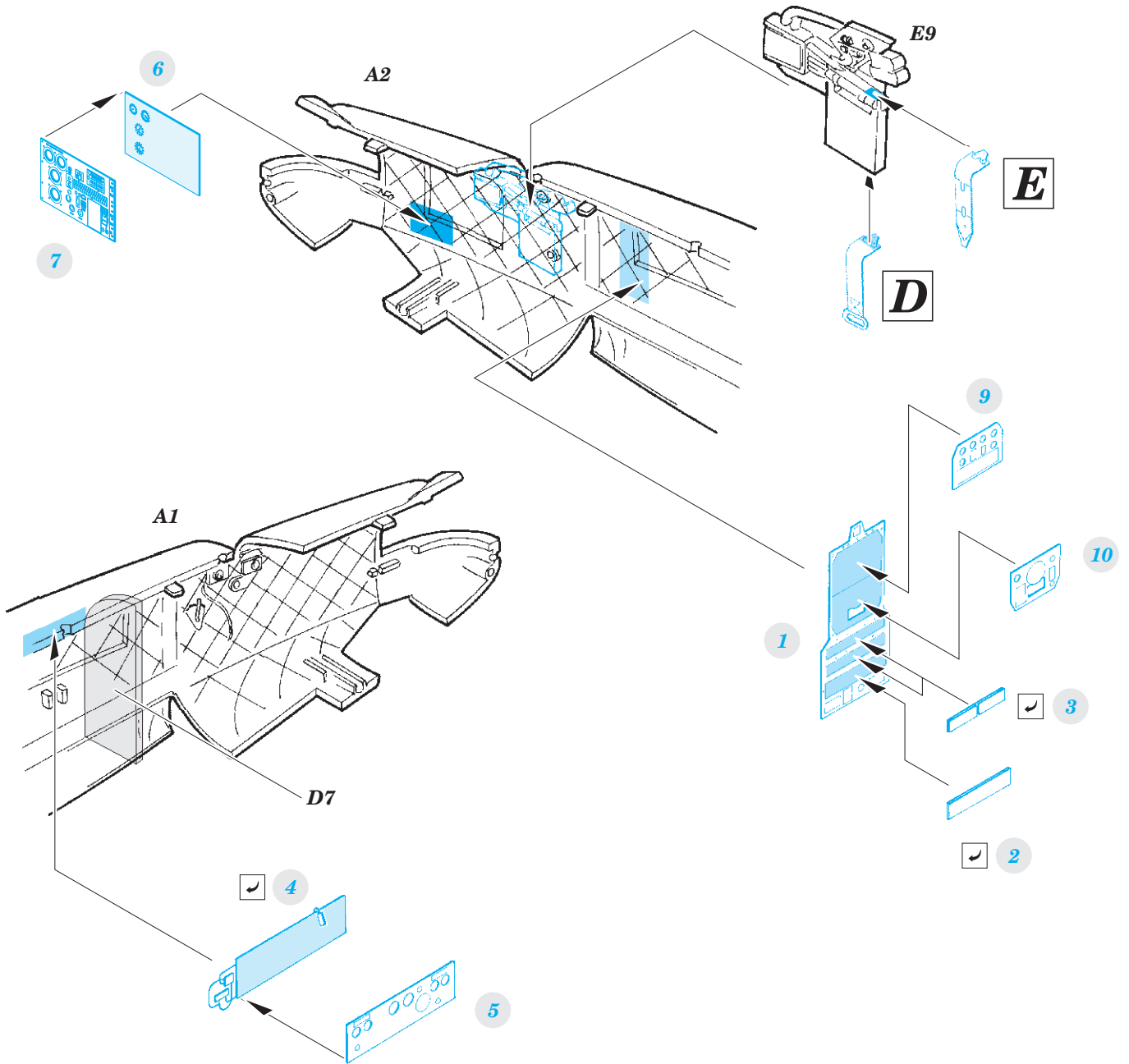
**17**



**32**

**33**





**Related products: 72 672 Wellington Mk.Ia/c landing flaps 1/72**

